



Best Products & Service
Established For 10 Years

SGS   CE RoHS



Wakatek®

EVER POWER, EVER LIGHT



Wakatek Solar Limited
Guangzhou Huatuo New Energy Technology Limited

Email: info@wakatek.com.cn

www.wakateksolar.com/ www.wakatek.com.cn

Head Office: Jiahe Commercial Building, Second Helong Road, Baiyun Area, Guangzhou, China

Manufactory: No.8 Jiaying Industrial Area, Yongxing Road, Baiyun Area, Guangzhou, China.

CONTENTS

COMPANY PROFILE

-Wakatek Introduction 1-2

SOLAR POWER STATION

-Solar Power System 3-4

-Lithium Solar System 5-6

-Solar Power Generator 7-8

SOLAR LITHIUM BATTERY

-Solar LifePO4 Battery 9-10

SOLAR POWER INVERTER

-Pure Sine Wave Inverter 11-12

-High Frequency Inverter 13-16

SOLAR CHARGE CONTROLLER

-MPPT Charge Controller 17-18

SOLAR LIGHTING SYSTEM

-Solar Street Light With Camera 19-20

-Solar All In One Street Light 21-26

-Solar Flood Light 27-28

COMPANY PROFILE

Wakatek Solar Limited was founded in 2016, located in Baiyun District, Guangzhou, China. We specialized in researching and developing, manufacturing renewable energy system.

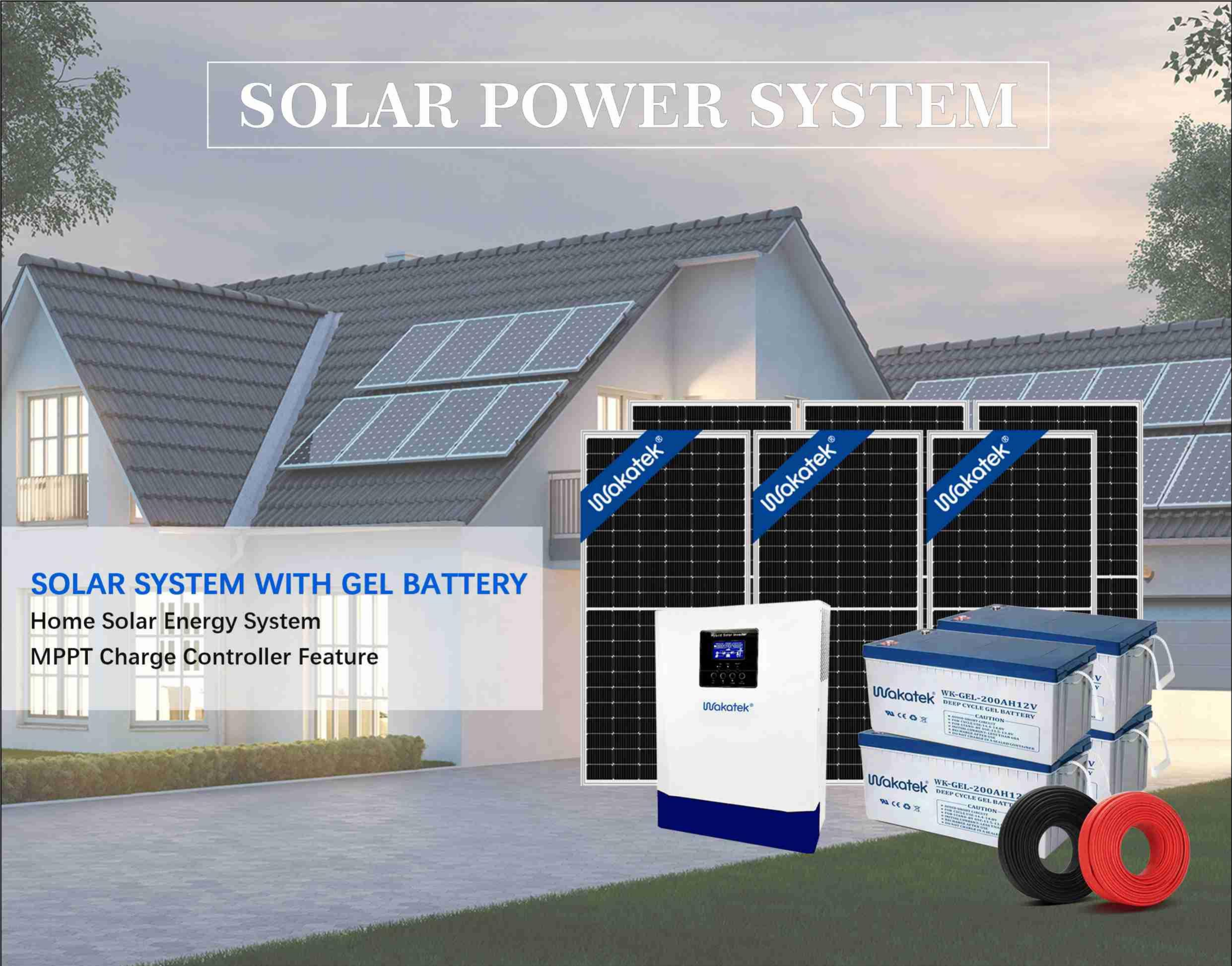
PRODUCTION LINE

Solar Power Station, Solar Power Inverter, Lithium LifePO4 Battery Pack, Charge Controller, Solar Street Light, Solar Flood Light and other electronic components for renewable energy system.

WAKATEK'S VALUE

Customer's satisfaction is our permanent pursuit. We always concentrated on analyzing customers' market and the application environment of products in order to create maximum value for customers consistently. We provide excellent power supply solutions and prioritize customers' demands to improve their competitiveness and profitability. Looking ahead, we adhere to the technology-oriented, innovation and development.

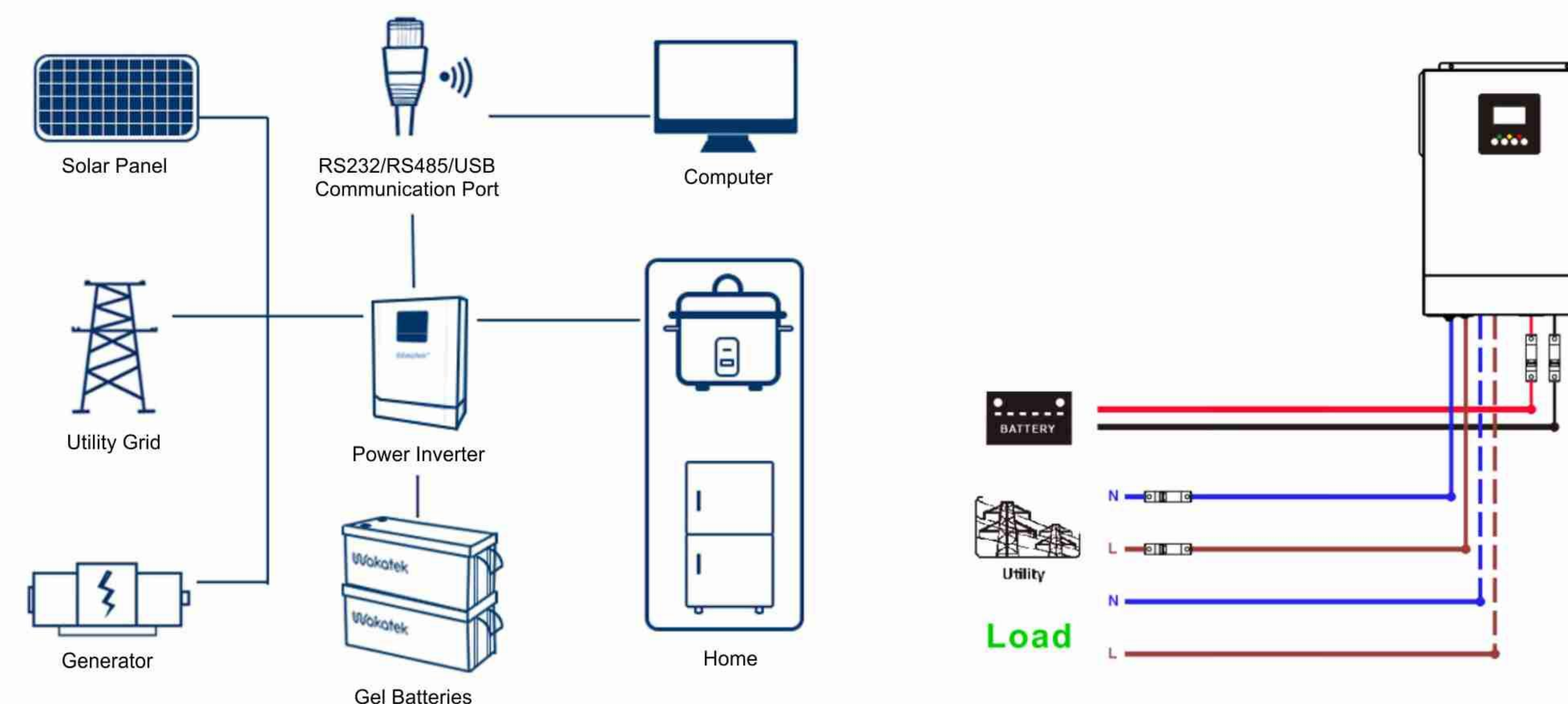
SOLAR POWER SYSTEM



SOLAR SYSTEM WITH GEL BATTERY

Home Solar Energy System
MPPT Charge Controller Feature

Detail analysis



Parameters

SPEC./MODEL	WK-SPS-5000VA	WK-SPS-7500VA	WK-SPS-10000VA
Power	5000VA	7500VA	10000VA
Solar Panel	500W/36V*6PCS	500W/36V*10PCS	500W/36V*12PCS
Gel Battery	12V/200Ah*4PCS	12V/200Ah*8PCS	12V/200Ah*16PCS
Controller	80A MPPT inbuild*1PC	80A MPPT inbuild*1PC	80A MPPT inbuild*2PCS
Inverter	5KVA/24V*1PC	7.5KVA/48V*1PC	5KVA/48V*2PCS
PV/Cable	Available	Available	Available

Wakatek Solar Power System Feature

- * Stronger Anti-strike Performance.
- Adopt Pure Sine Wave Power Frequency Inverter, is able to Load the Inductive Household Appliances.
 - * MPPT Controller Technology.
 - * Digital Multi Page Function.
- AC/DC Priority Adjustable on the LCD Screen;
 - * Function Adjustable.
- Frequency 50HZ/ 60HZ Adjustable on the LCD Menu Screen;
- Charging Current Adjustable.
 - * Assurance Production.
- Battery Reserve Polarity Protection, Over-load, Short -circuit,
- Over Temperature Protection, Over Charge, Over Discharge Protection.
 - * Installation Guidance Support & Professional Configuration Support.



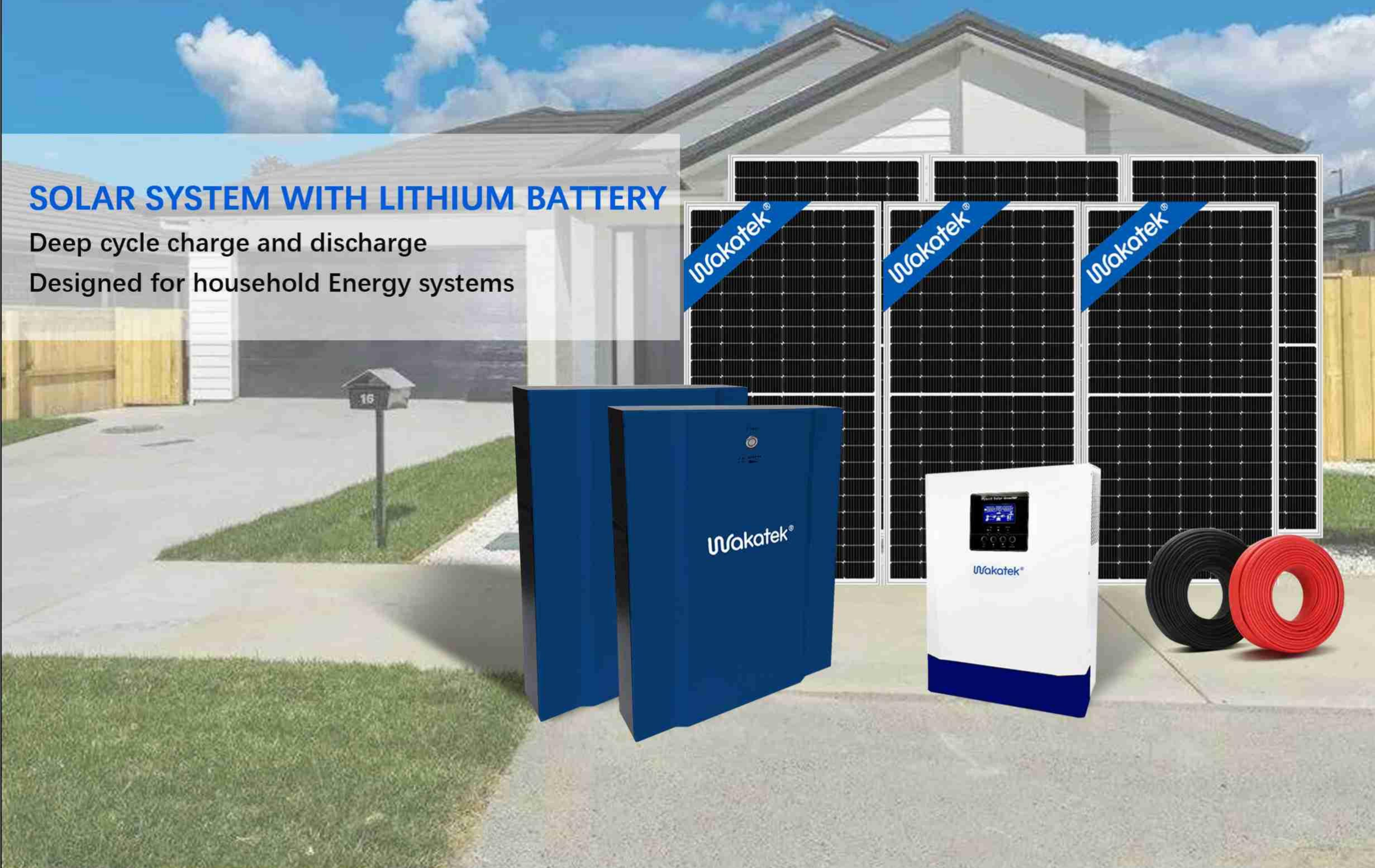
Case



LITHIUM SOLAR SYSTEM

SOLAR SYSTEM WITH LITHIUM BATTERY

Deep cycle charge and discharge
Designed for household Energy systems

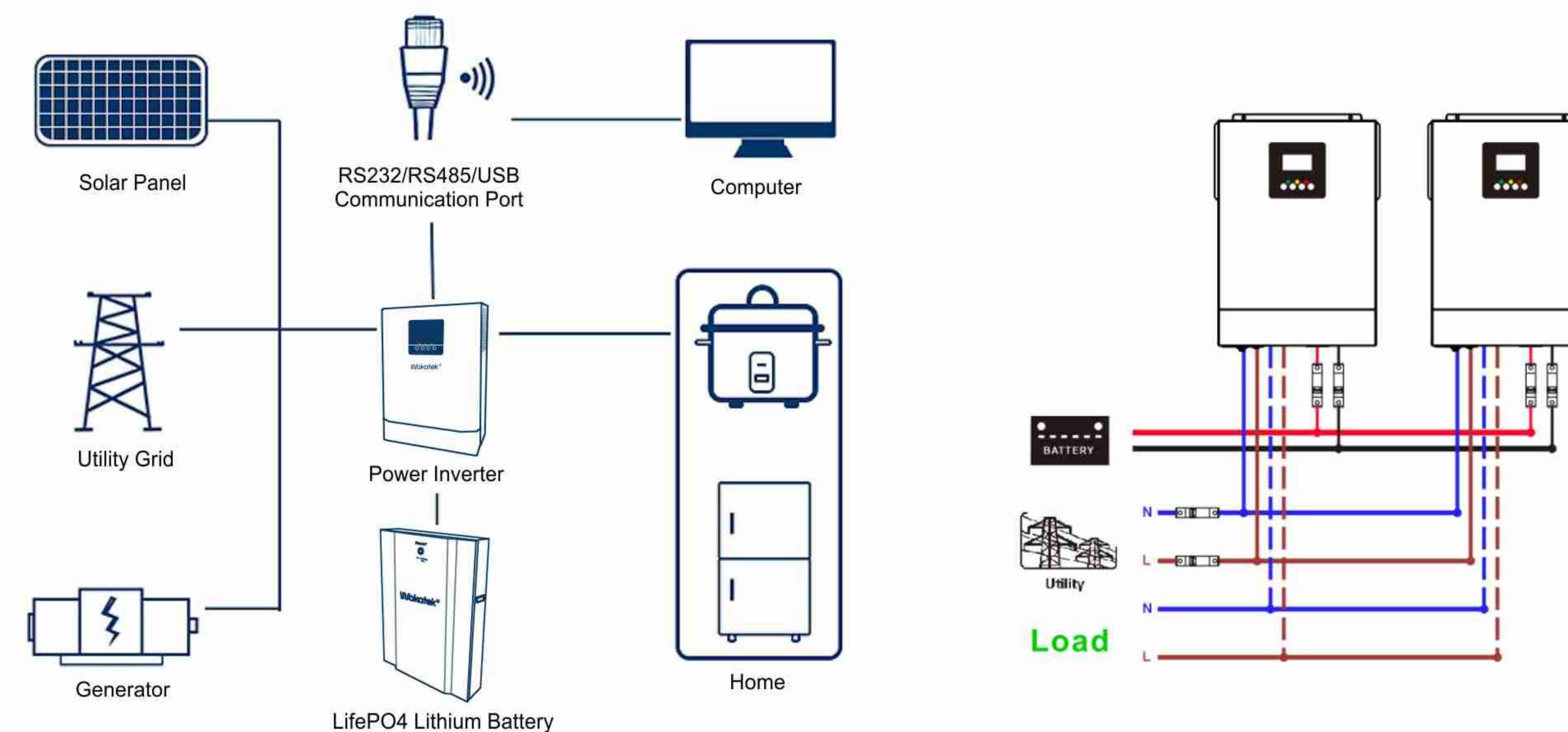


Wakatek LifePO4 Battery Solar Power System

- * LifePO4 Lithium Battery Power Supply
- Wall Type, Safe Operation, System Management
- Cycle life more than 6000, Superior Performance
- * Deep Cycle Charge and Discharge
- Allowed Max Discharge Current 200A
- * Iron Phosphate-Lithium Power Battery
- * Higher Energy Density, Smaller Volume for Household.
- Adopt High Capacity Battery, Easy Install, Light Weight
- * Designed for Household Energy Systems.
- Installation Guidance Support & Professional Configuration Support.



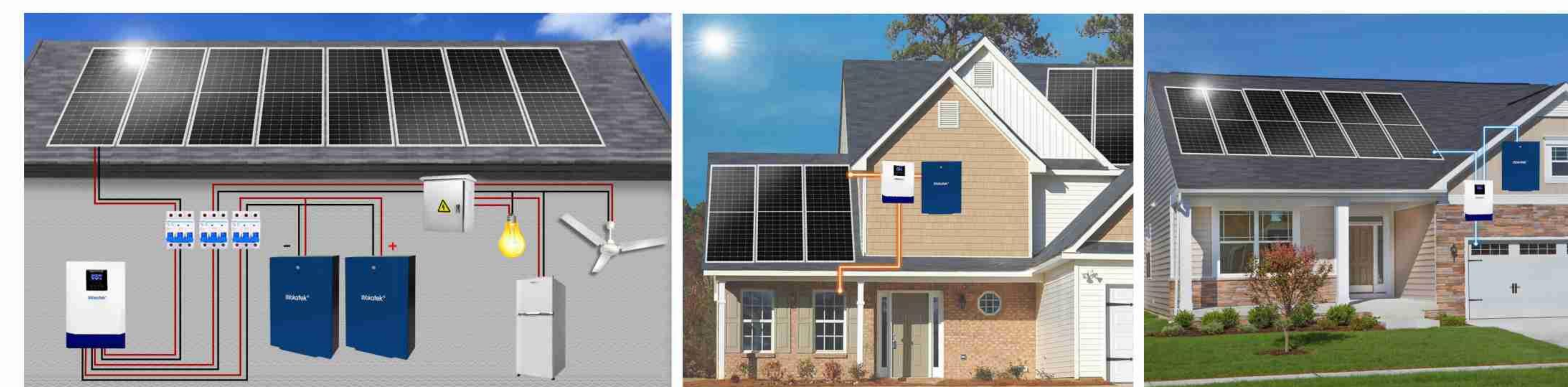
Detail analysis



Parameters

SPEC./MODEL	WK-SPS-5KWH	WK-SPS-10KWH	WK-SPS-20KWH	WK-SPS-30KWH	WK-SPS-40KWH
Power	5000WH	10000WH	20000WH	30000WH	40000WH
Solar Panel	500W/36V*4PCS	500W/36V*6PCS	500W/36V*12PCS	500W/36V*18PCS	500W/36V*24PCS
Lithium Battery	5KWH/24V LifePO4*1PC	10KWH/48V LifePO4*1PC	10KWH/48V LifePO4*2PCS	10KWH/48V LifePO4*3PCS	10KWH/48V LifePO4*4PCS
Controller	80A MPPT inbuild*1PC	80A MPPT inbuild*1PC	80A MPPT inbuild*2PCS	80A MPPT inbuild*2PCS	80A MPPT inbuild*2PCS
Inverter	5KVA/24V*1PC	7.5KVA/48V*1PC	7.5KVA/48V*2PCS	7.5KVA/48V*2PCS	7.5KVA/48V*2PCS
PV/Cable	Available	Available	Available	Available	Available

Case



SOLAR POWER GENERATOR

SOLAR OUTDOOR POWER SUPPLY

Long Lasting Endurance
Best Portable Power

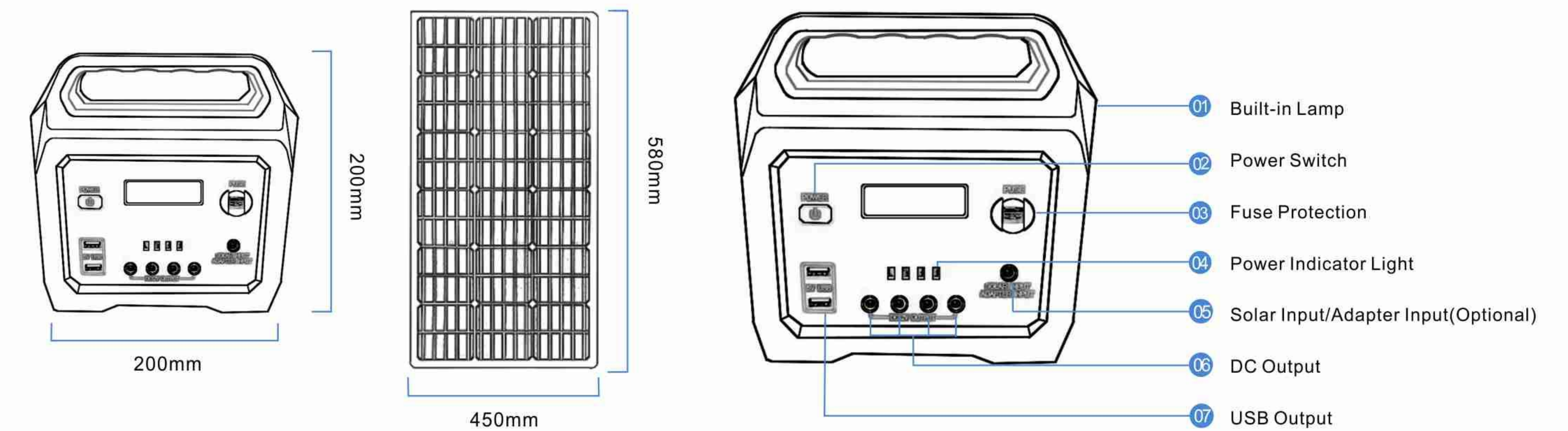


Wakatek Portable Solar Power Generator

- * Easy Install, Portable and Intelligent
- **Light Weight, Easy Operation and Multi-function**
- * LifePO4 Lithium Battery Power Supply
- **Safe Operation, Long Cycle Life Time**
- * Higher Energy Density, Smaller Volume for Household.
- **Adopt High Capacity Battery, Smaller Design Save Space**
- * Protection Function Available, Multi Charging Ways
- **Overload, Overcharge/Discharge, Over Temperature Protection**
- **Solar Charge, AC Adapter Charge(Optional)**
- * Designed for Household Energy Systems.
- **Installation Guidance Support & Professional Configuration Support.**



Detail analysis



Parameters

SPEC./MODEL	WK-SPG-96WH	WK-SPG-192WH
Power	96WH	192WH
Solar Panel	MONO PANEL 30W*1PC	MONO PANEL 50W*1PC
Lithium Battery	30AH/3.2V LifePO4*1PC	60AH/3.2V LifePO4*1PC
LED Light	DC12V 5W+5 Meters Wire *3PCS	DC12V 5W+5 Meters Wire *3PCS
USB Connection	3 IN 1 USB 5V *2pcs DC12V Output 4pcs	3 IN 1 USB 5V *2pcs DC12V Output 4pcs
AC Adapter	Optional	Optional
PV/Cable	Available	Available

Case



LIFEPO4 LITHIUM BATTERY

**WALL TYPE LIFEPO4
CAPACITY 10KWH**
Longer Lifespan, Light Weight
Designed For Household Energy Systems

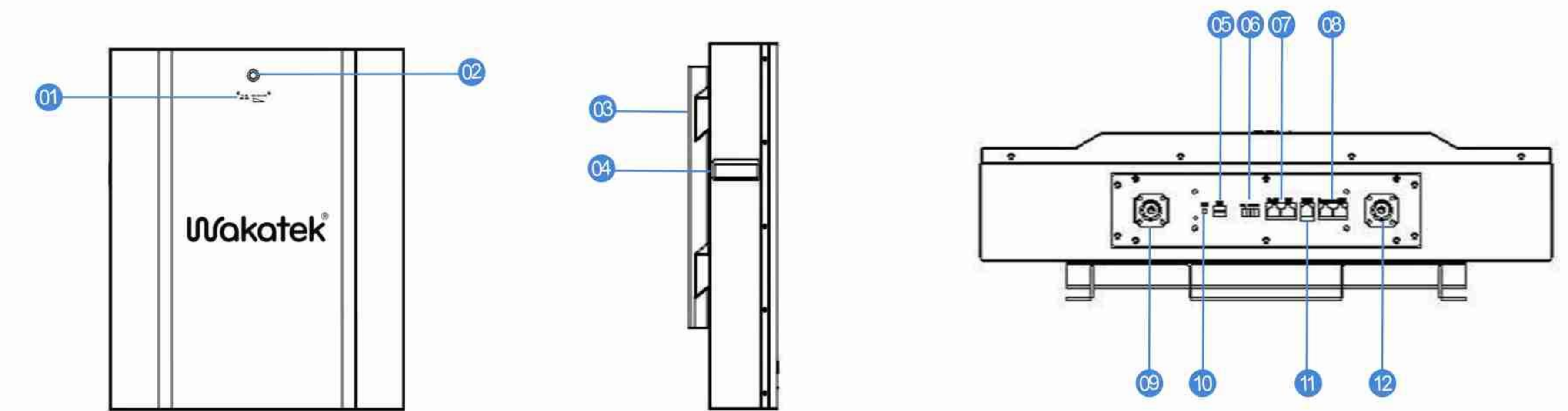


Wakatek Solar LifePO4 Battery Feature

- * Built-in BMS Monitors.
- **Safe Operation, System Management, Long Performance Life.**
 - * Deep Cycle Charge and Discharge.
- **Cycle Life More than 6000, Superior Performance.**
 - * Iron Phosphate-lithium Power Battery.
 - * Higher Energy Density, Smaller Volume for Household.
- **Adopt High Capacity Battery, Longer Lifespan, Light-weight.**
 - * Designed for Household Energy Systems.
- **Installation Guidance Support & Professional Configuration Support.**



Detail analysis



- 01 Pilot Lamp
- 02 Power Button
- 03 Wall Mount Supprt
- 04 Handle
- 05 ADS
- 06 Dry Contact
- 07 RS 485 & CAN
- 08 Battery-com(485)
- 09 Positive Connection Port
- 10 RST
- 11 RS 232
- 12 Negative Connection Port

Parameters

Model	WK-LBW-20048
Norminal Battery Energy	10KWH
Norminal Capacity	200 AH
Norminal Voltage	51.2V
Cycle Life	>6000 Times
Self Discharge	≤3%
DC Normal Charge Volatge	44.8V-57.6V
Charge Mode	0.2C to 57.6V
Recommended Charger Current	Less than 200A
Allowed Max charge Current	200A
Charge Cut-off Voltage	58.4V±1VDC
Allowed Max Discharge Current	200A
Discharge Cut-off Voltage	43.2V
Range of DC Discharge Voltage	44.8V-57.6V
Enclosure Protection Level	Ip20
Products Size L*W*H	750*570*173MM
Products Weight (Gross Weight)	75KG

Case



PURE SINE WAVE INVERTER



Pure Sine Wave Inverter Feature
 With Built-in MPPT Charge Controller 80A
 7.5KVA Accept Parallel Operation with 9 units



Wakatek Pure Sine Wave Inverter Feature

*Input Voltage: 24V/48V, Nominal Frequency: 50/60HZ

*Output Voltage: 220V/230V AC $\pm 5\%$

*With Built-in MPPT Charge Controller 80A

● **PV Array MPPT Voltage Range: 120VDC-450VDC**

*AC Charge Input Volt : 170-280VAC / 90-280VAC

*Assurance Protection

● **Over-Load, Short-Circuit, Over Temperature**

● **Over Charge, Over Discharge (DSP Control) Protection Function**

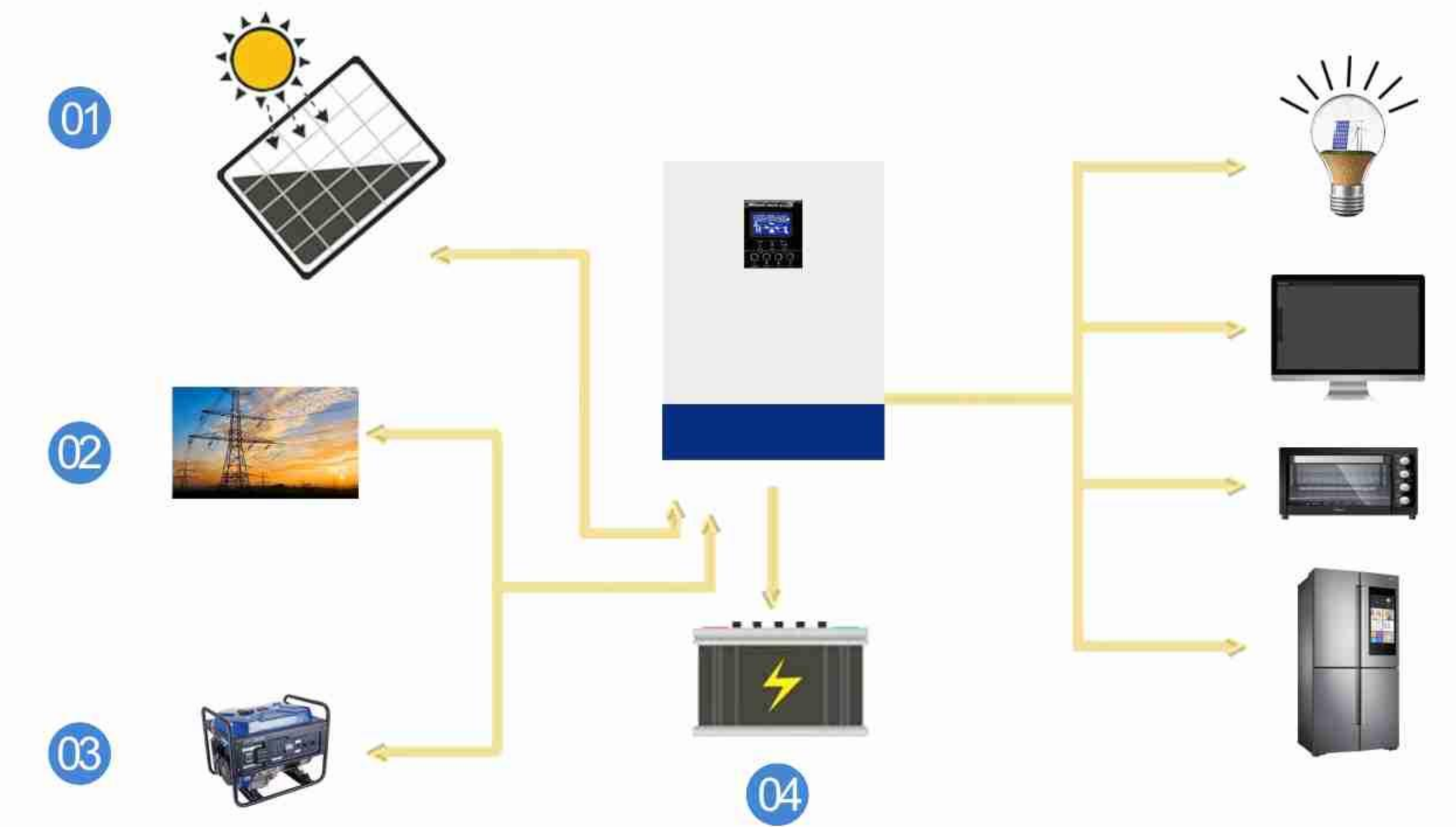
*7.5KVA Accept Parallel Operation with 9 units



- 1.AC Input 2.AC Output 3.PV Input
- 4.Battery Input 5.Dry Contact 6.Power On/Off
- 7.Circuit Breaker 8.USB Communication Port
- 9.Grounding 10.RS232 Communication Port

Detail analysis

- 01 PV Array
- 02 Power Grid
- 03 Generator
- 04 Battery

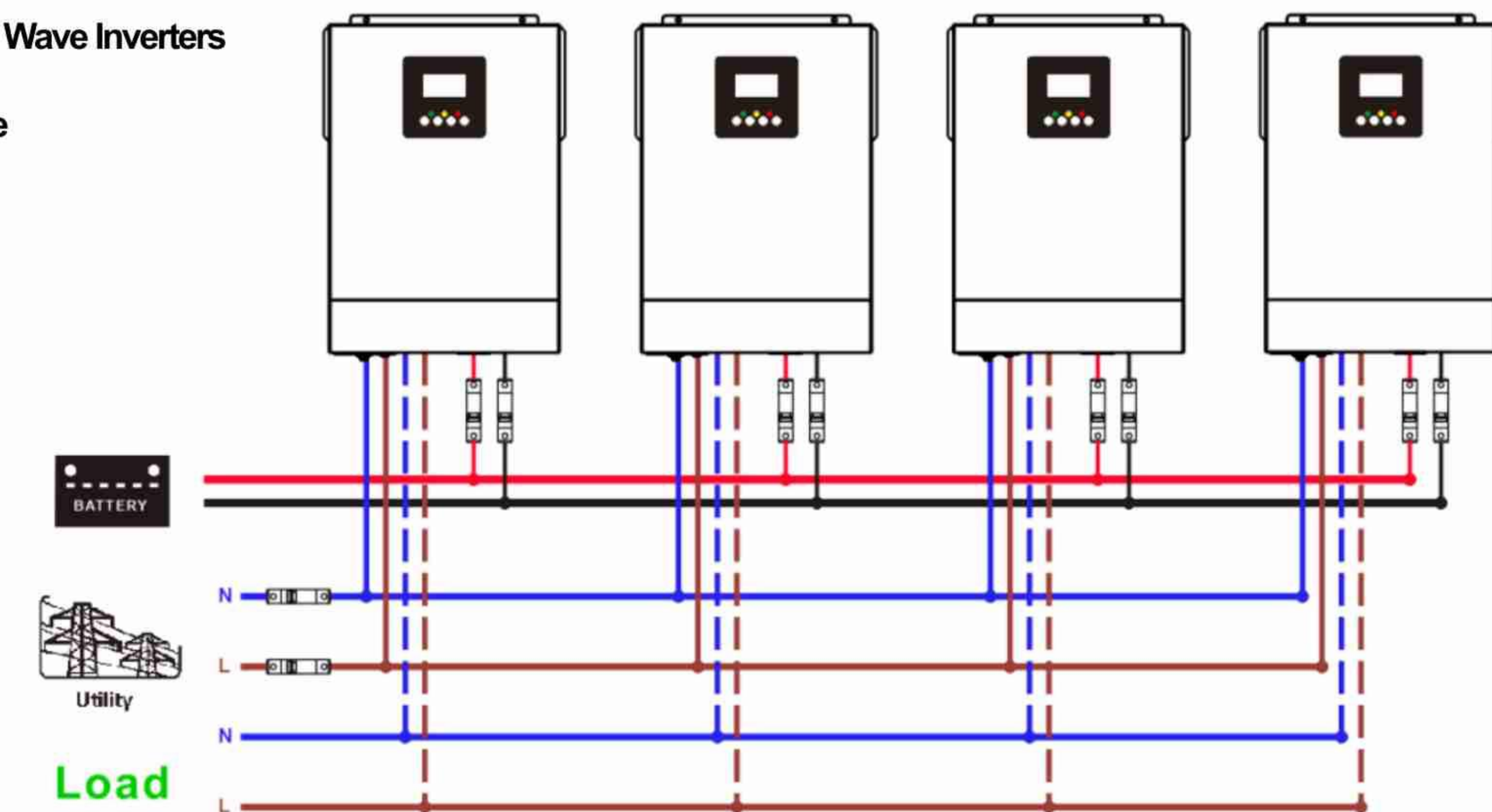


Parameters

SPEC./MODEL	WK-HPM-5000VA	WK-HPM-7500VA
Input Voltage	24V	48V
Nominal Frequency	50 / 60HZ (Auto Sensing)	50 / 60HZ (Auto Sensing)
Output Voltage	220V/230V AC $\pm 5\%$	220V/230V AC $\pm 5\%$
Line Transfer Time	$\leq 10\text{ms}$ Typical	$\leq 10\text{ms}$ Typical
Peak Efficiency	97%	97%
Max PV Array Power	4000W	5000W
Max PV Array Open Circuit Voltage	500V DC	500V DC
PV Array MPPT Voltage Range	120VDC-450VDC	120VDC-450VDC
Max Solar Input Current	15A	18A
Max Solar Charge Current	80A	80A
Max AC Charge Current	60A	60A
AC Charge Input Volt	170-280VAC / 90-280VAC	170-280VAC / 90-280VAC
Products Size L*W*H	448*295*105MM	448*295*105MM
Package Size L*W*H	565*380*190MM	565*380*190MM

WK-HPM Pure Sine Wave Inverters

Allow in Parallel Use



HIGH FREQUENCY INVERTER

High Frequency Inverter

MCU Intelligent Precision Control
Waveform: Pure/Modified Sine Wave

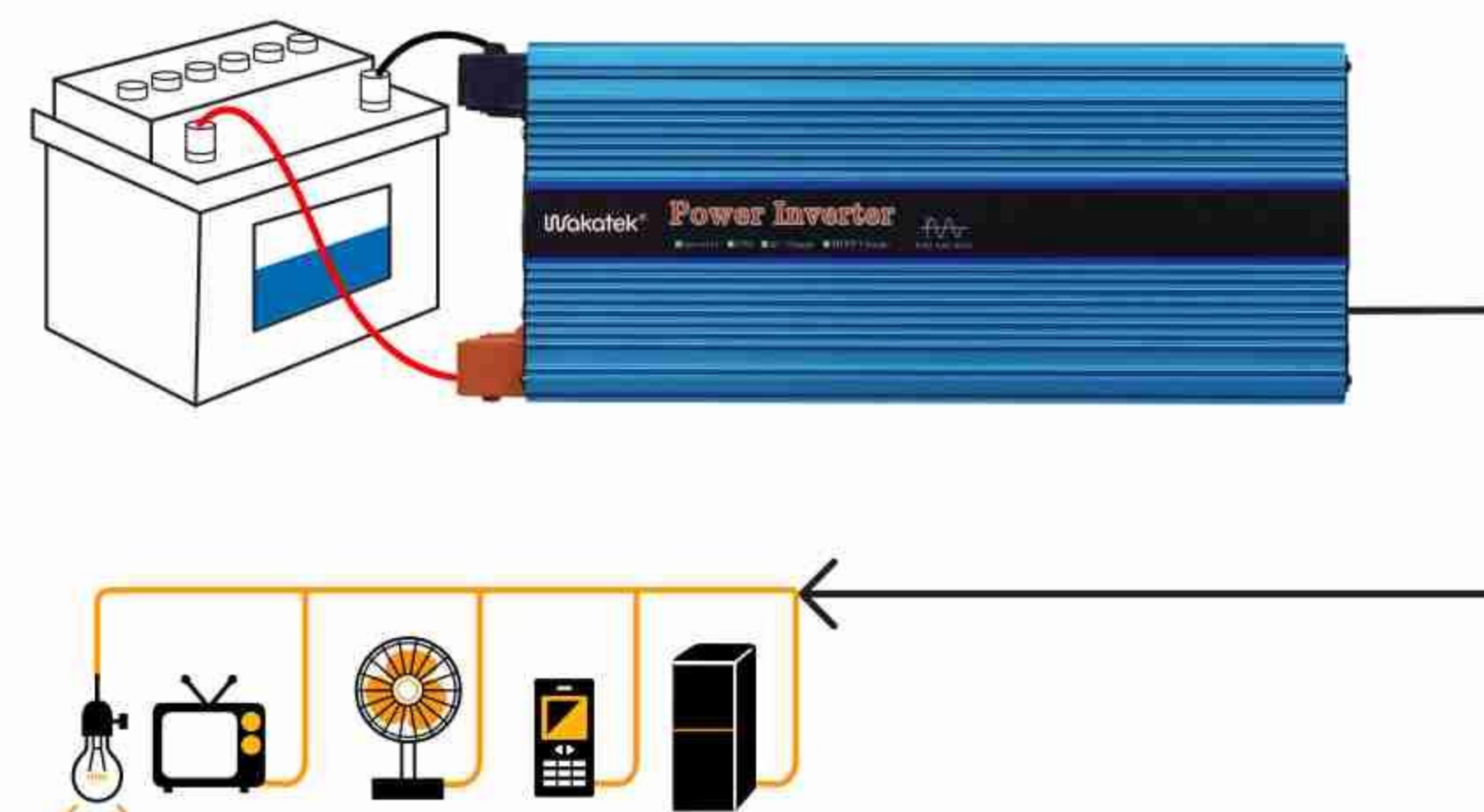


Wakatek High Frequency Inverter Feature

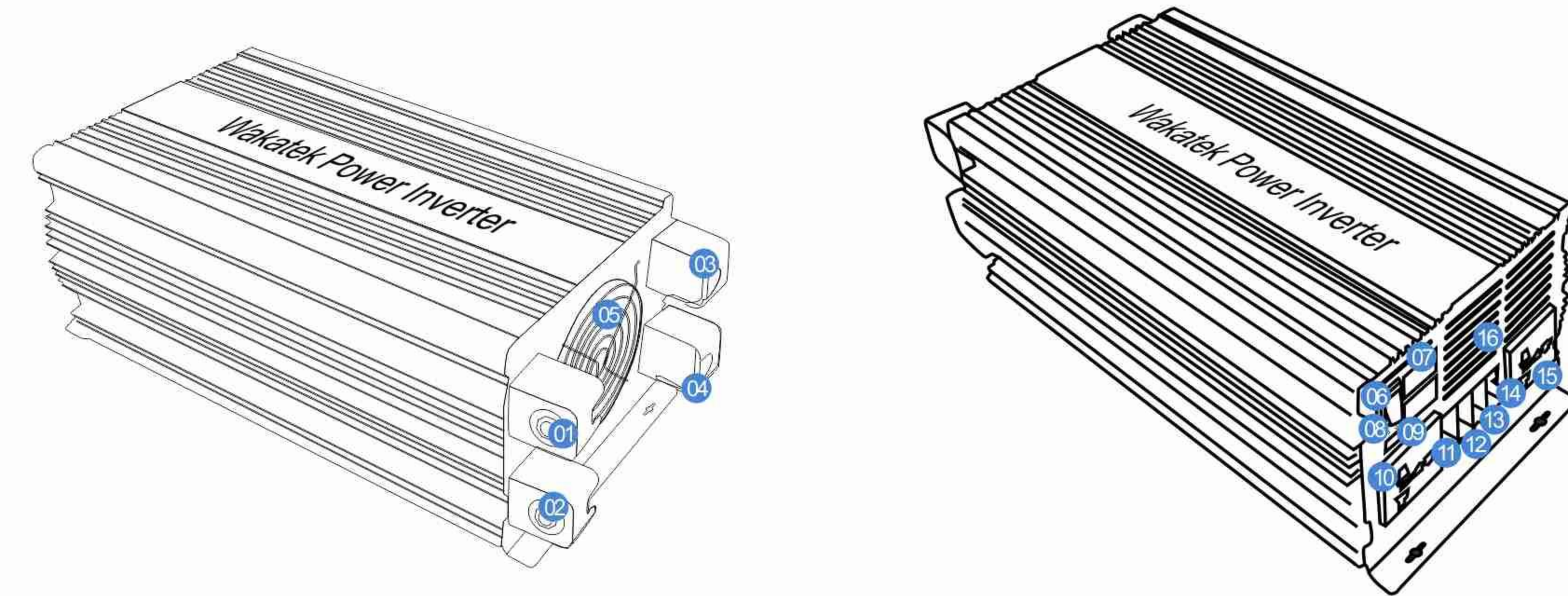
- * Full-Bridge Converter
- * MCU Intelligent Precision Control
- * Aluminum Magnesium Casing
- * Output Frequency: 50/60Hz (Optional)
- * Temperature Acquisition Sensor, Accuracy 1%
- * Accessories: Battery Clip Cable
- * Assurance Production

- Battery Reserve Polarity Protection, Over-load, Short -circuit
- Over Temperature Protection, Over Charge, Over Discharge Protection

* Waveform: Pure/Modified Sine Wave (with AC Charger+UPS Function Optional)



Detail analysis

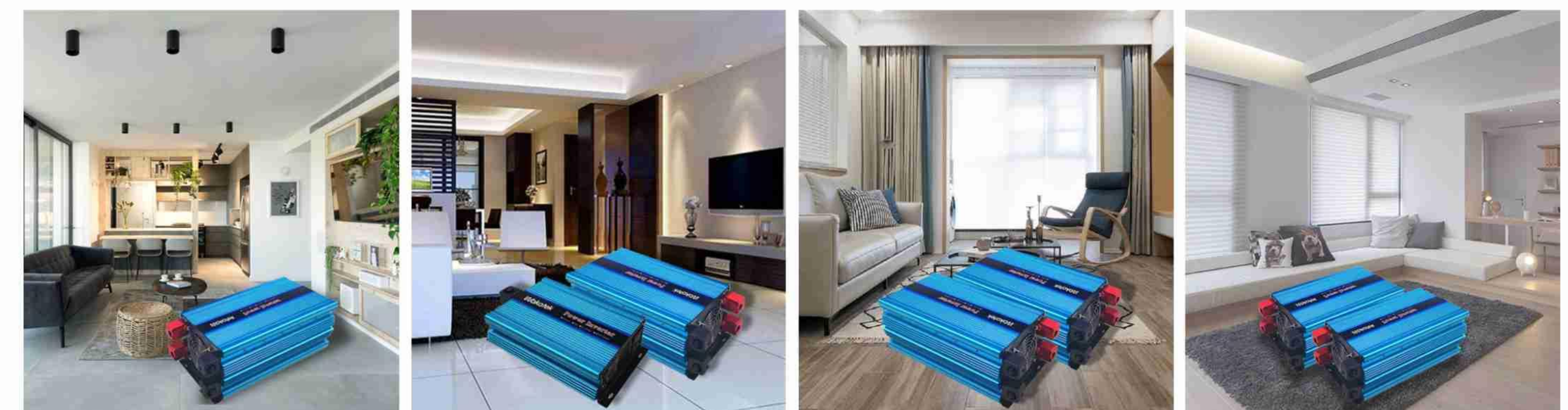


- 01 Battery Negative
- 02 Battery Negative
- 03 Battery Positive
- 04 Battery Positive
- 05 Cooling Fans
- 06 Power Switch
- 07 Voltage Digital Display
- 08 Indicator Light
- 09 USB Port
- 10 AC Output Terminal
- 11 AC Input"L"
- 12 AC Input"N"
- 13 AC Output"N"
- 14 AC Output"L"
- 15 AC Output Terminal
- 16 Cooling Window

Parameters

SPEC. / MODEL	WK-TDM-4000VA	WK-TDM-5000VA	WK-TDM-6000VA	WK-TDM-8000VA	WK-TDM-10000VA	WK-TDM-12KVA
Rated Power	2000W	2500W	3000W	4000W	5000W	6000W
Peak Power	4000W	5000W	6000W	8000W	10000W	12000W
Input Voltage	12V/24V/48V/60V/72V					
Output Volatge	220/230VAC OR 110/120VAC (Optional)					
Frequency	Output Frequency 50HZ/60HZ (Optional)					
Output Wave Form	Pure Sine Wave Transformer					
USB Port	5V2A					
Max Efficiency	≥93%					
AC Charge Current	4000VA-12KVA Charge Current 48V-5A /24V-10A /12V-20A (Optional), 40A-80A (Optional)					
Special Function 1	Battery Reverse Polarity Protection					
Special Function 2	LED Dual Digital Display with Fault Code Prompt Function					
Special Function 3	Over-Load, Short-Circuit, Over temperature, Over charge, Over discharge Protection					

Case



HIGH FREQUENCY INVERTER

High Frequency Inverter

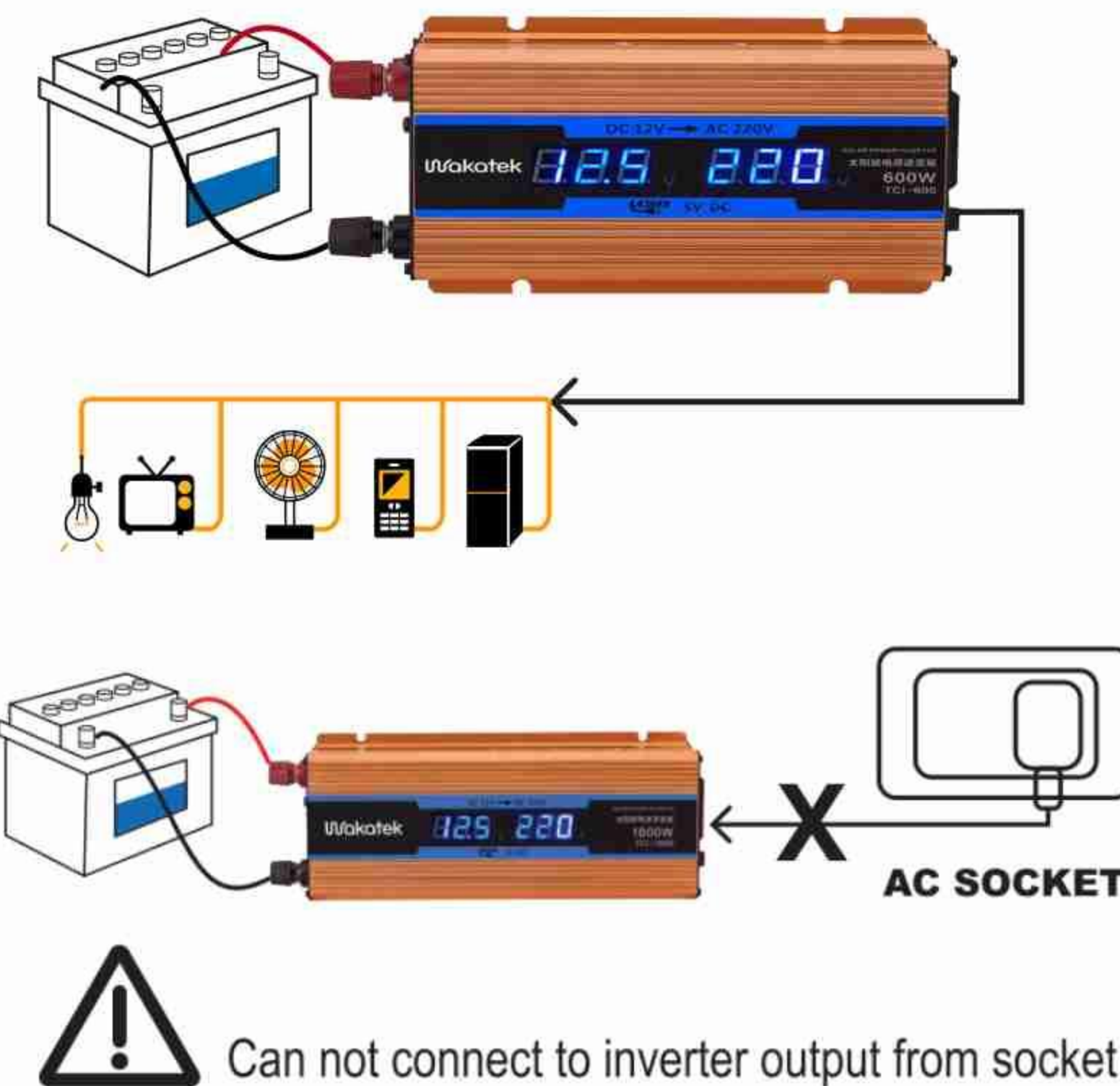
Battery Reverse Polarity Protection
MCU Intelligent Precision Control



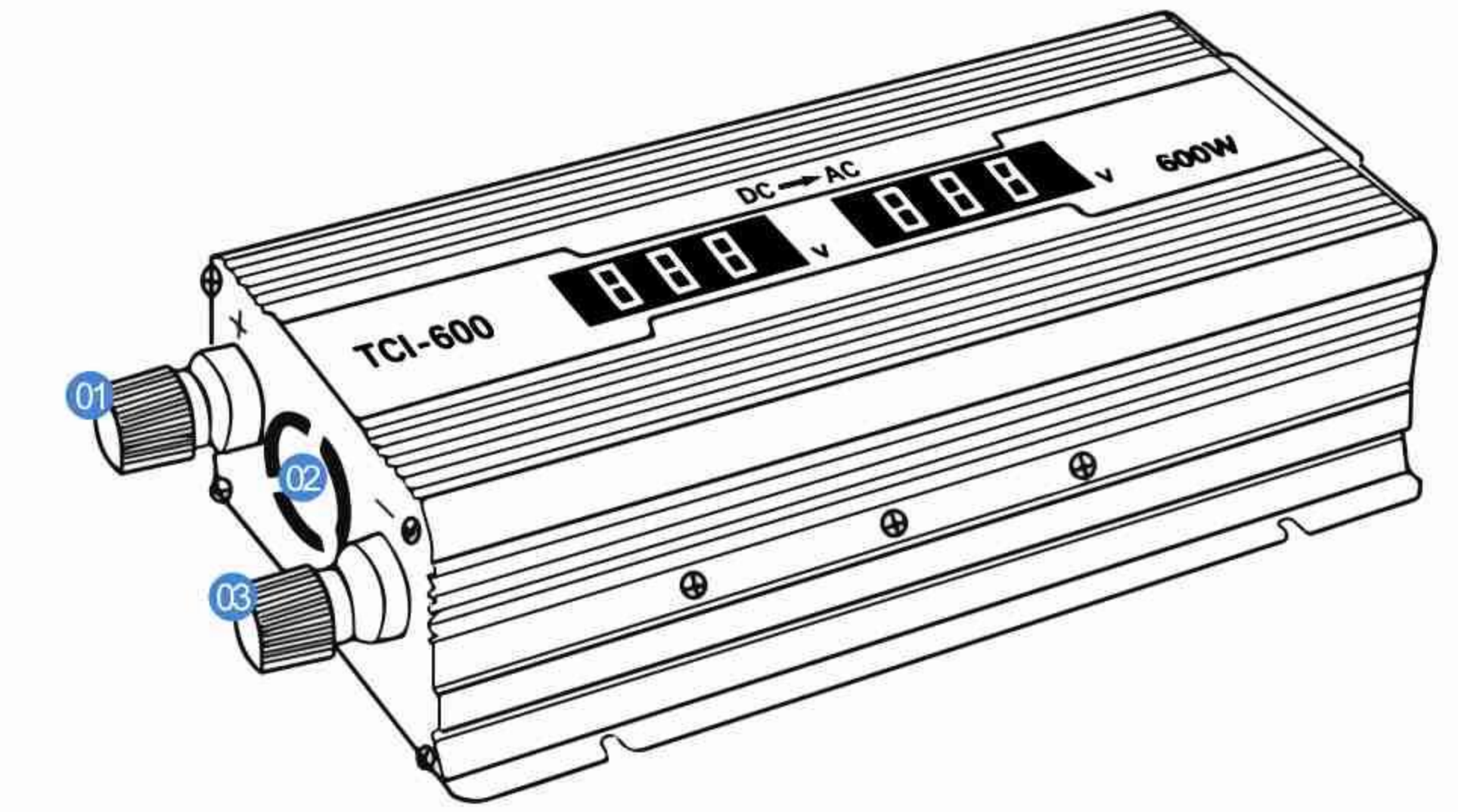
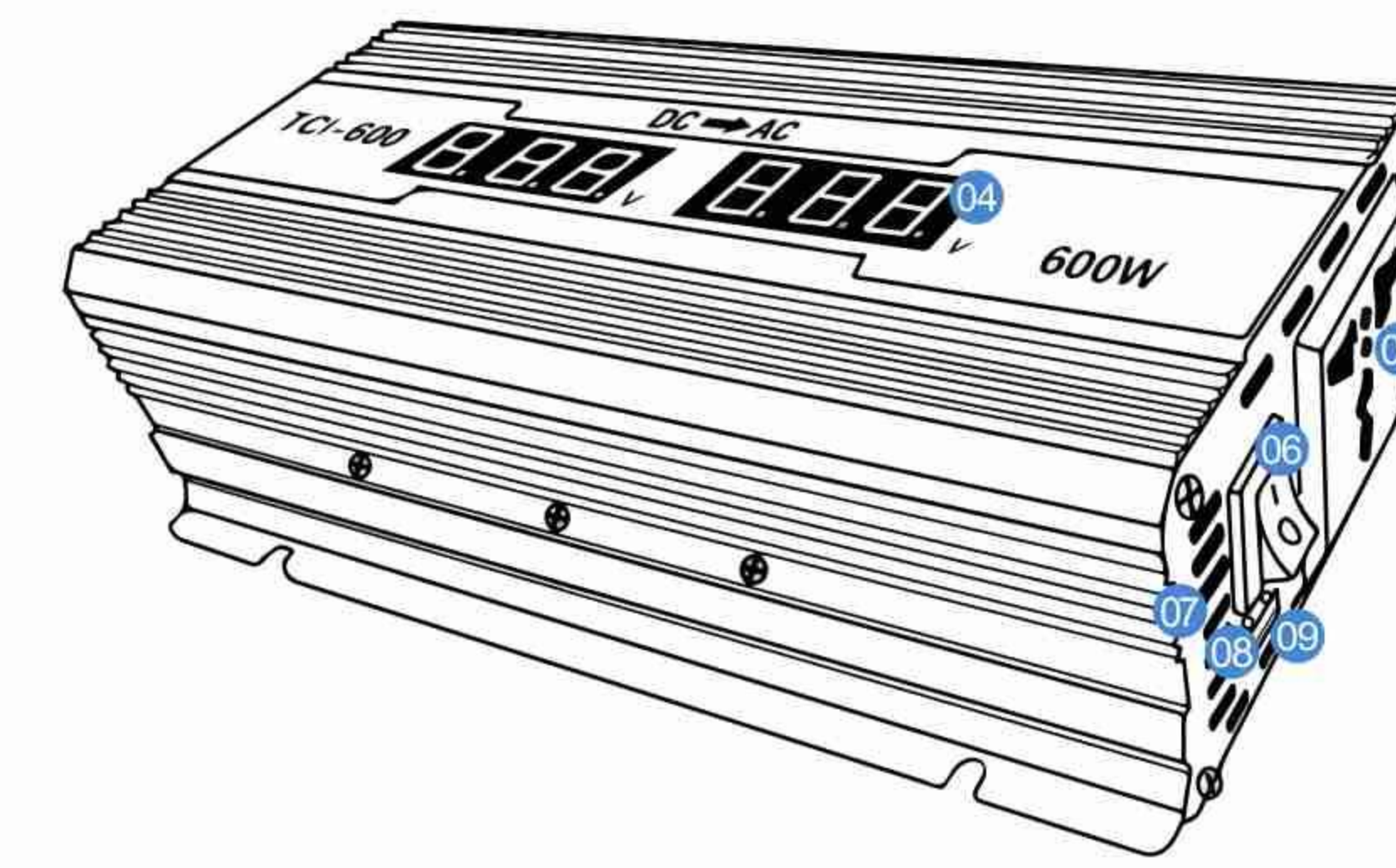
Wakatek High Frequency Inverter Feature

- * Full-Bridge Converter
- * MCU Intelligent Precision Control
- * Aluminum Magnesium Casing
- * Output Frequency: 50/60Hz (Optional)
- * Temperature Acquisition Sensor, Accuracy 1%
- * Battery Reverse Polarity Protection
- * Accessories: Battery Clip Cable
- * Assurance Production

- **Battery Reserve Polarity Protection, Over-load, Short-circuit**
- **Over Temperature Protection, Over Charge, Over Discharge Protection**



Detail analysis



- 01 Battery Positive
- 02 Cooling Fans
- 03 Battery Negative
- 04 Voltage Digital Display
- 05 AC Output Terminal
- 06 Power Switch
- 07 Cooling Window
- 08 Indicator Light
- 09 USB Port

Parameters

SPEC./MODEL	WK-TCI-600VA	WK-TCI-1200VA	WK-TCI-1600VA	WK-TCI-2200VA	WK-TCI-2600VA	WK-TCI-3000VA
Rated Power	350W	700W	900W	1100W	1300W	1500W
Peak Power	600W	1200W	1600W	2200W	2600W	3000W
SPEC./MODEL	WK-TCI-4000VA	WK-TCI-5000VA	WK-TCI-6000VA	WK-TCI-8000VA	WK-TCI-10000VA	WK-TCI-12KVA
Rated Power	2000W	2500W	3000W	4000W	5000W	6000W
Peak Power	4000W	5000W	6000W	8000W	10000W	12000W
Input Voltage	12V/24V/48V/60V					
Output Volatge	220/230VAC OR 110/120VAC (Optional)					
Frequency	Output Frequency 50HZ/60HZ (Optional)					
Output Wave Form	Modified Sine Wave					
USB Port	5V1A / 5V2A					
Max Efficiency	≥93%					
AC Charge Current	4000VA-12KVA Charge Current 48V-5A /24V-10A /12V-20A (Optional), 40A-80A (Optional)					
Special Function 1	Battery Reverse Polarity Protection					
Special Function 2	Over-Load, Short-Circuit, Over temperature, Over charge, Over discharge Protection					

Case



MPPT CHARGE CONTROLLER

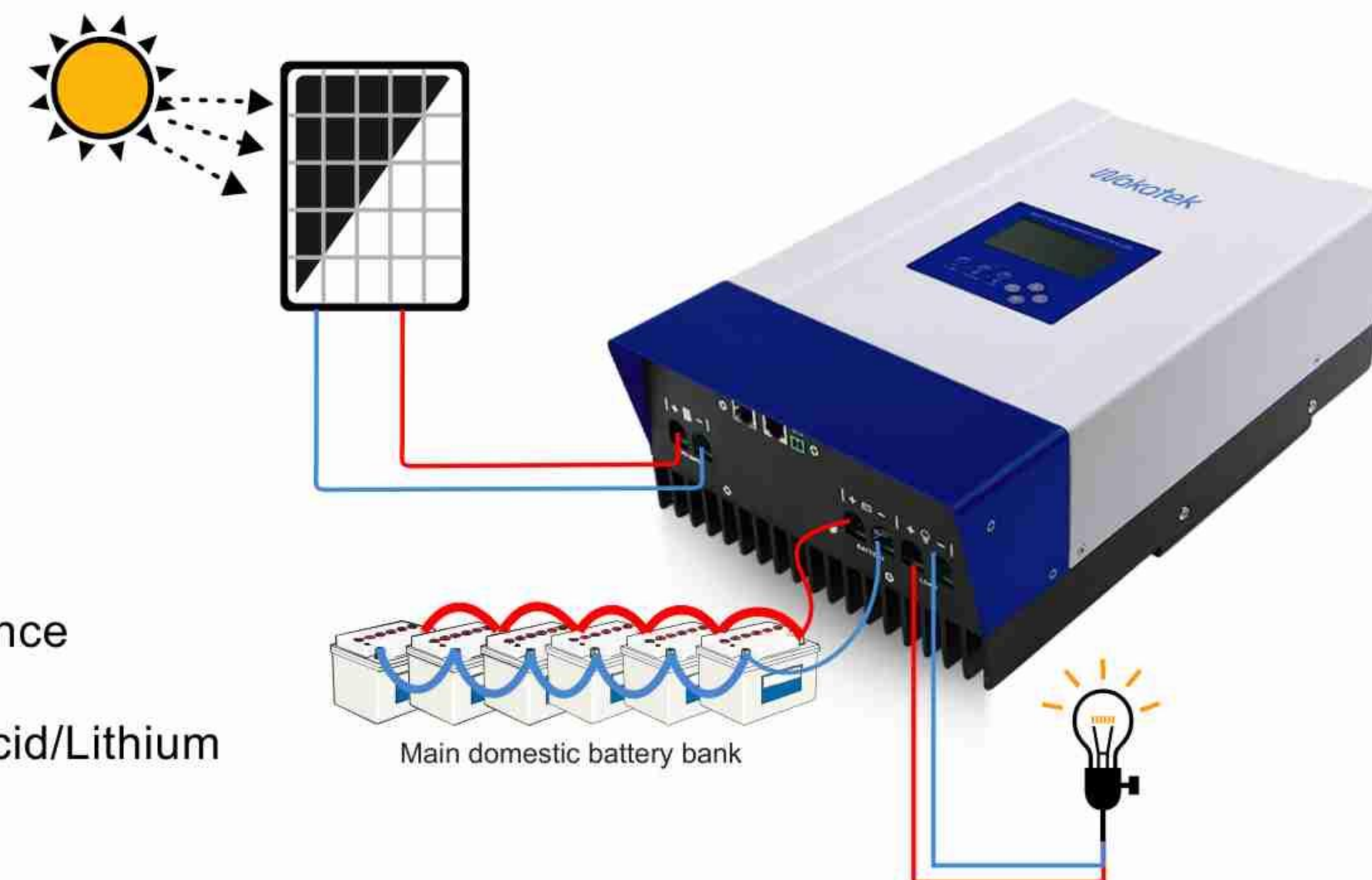
MPPT Charge Controller

12V/24V/36V/96V Automatically Working
Multi-Funtion LCD Display And LED Display

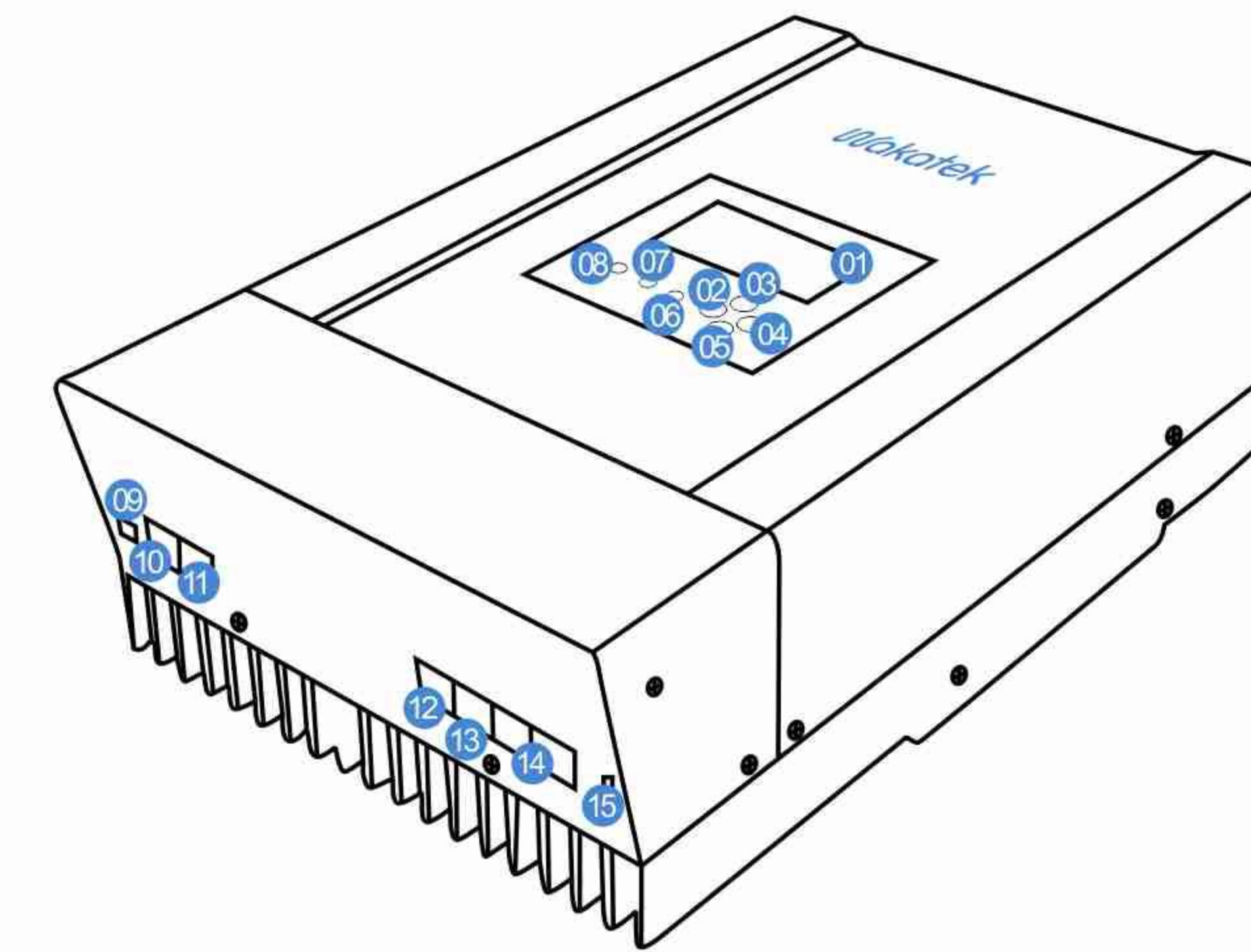


Wakatek MPPT Charge Controller Feature

- * 12V/24V/36V/96V Automatically Working
- * Multi-funtion LCD Display and LED Display
- * Peak Conversion Efficiency 98.5%
- * Maximum Power Point Tracking Efficiency 99.5%
- * Multi-stage Charging Optimizes Battery Performance
- * Wide Range Solar PV Voltage Input 18V-230VDC
- * Excellent heatsink Cooling Design, Guarantee Performance
- * Compatible with a Variety of Battery Types, AGM/Lead Acid/Lithium



Detail analysis



- 01 LCD+LED Display
- 02 Exit/Load off
- 03 Up
- 04 Confirm/Load on
- 05 Down
- 06 DC Load Switch Indicator
- 07 Charging Indicator
- 08 Stand by/Failure Indicator
- 09 Rs485 Port
- 10 Solar Input “+”
- 11 Solar Input “-”
- 12 Battery Input “+”
- 13 Battery Input “-”
- 14 DC Load Output “+” “-”
- 15 Battery Temperature Sensor
- 16 Aluminum heatsink

Parameters

SPEC. / MODEL	WK-TMC-60A	WK-TMC-80A	WK-TMC-100A	WK-TMC02- 40A	WK-TMC02- 60A
Solar System Voltage	12V/24V/36V/48V Automatically Work			12V/24V/36V/48V/60V/72V/84V/96V Automatically Work	
PV Operating Voltage	18V-150VDC, Max PV Input Voltage 150V			18V-230VDC, Max PV Input Voltage 230V	
Max PV Input Power	12V 900W	12V 1200W	12V 1400W	12V 600W	12V 900W
	24V 1800W	24V 2300W	24V 2800W	24V 1200W	24V 1800W
	36V 2600W	36V 3300W	36V 4200W	36V 1700W	36V 2600W
	48V 3400W	48V 4600W	48V 5400W	48V 2250W	48V 3400W
	/			96V 4500W	96V 6600W
Rated Output Current	60A	80A	100A	40A	60A
Self Consumption	≤3W				
Conversion Efficiency	≥98.5%				
Cooling	Heatsink Cooling			Fan Cooling	
Charge Algorithm	Four Stages: Buik, Absorption, Float, Equalize Charging				
Battery Type	Gel, AGM, Lead Acid, Lithium Battery				
Operate Temperature	-20 - 60 °C				
Communication Port	Rs485				
Protection Function	PV Array Short-Circuit, Over charge, Battery Reverse Polarity, Output Short-Circuit Protection				

Case



SOLAR STREET LIGHT WITH CAMERA



All In One Solar Street Light

High Lumen High Bright
Intelligent Working Mode

Wakatek Solar Street Light with CCTV Camera

* CCTV Function: Color Night Vision.

- Accuracy: 2 Million Pixels.
- Image Resolution: 1920*1080.
- Photographic Distance: 50 Meters.

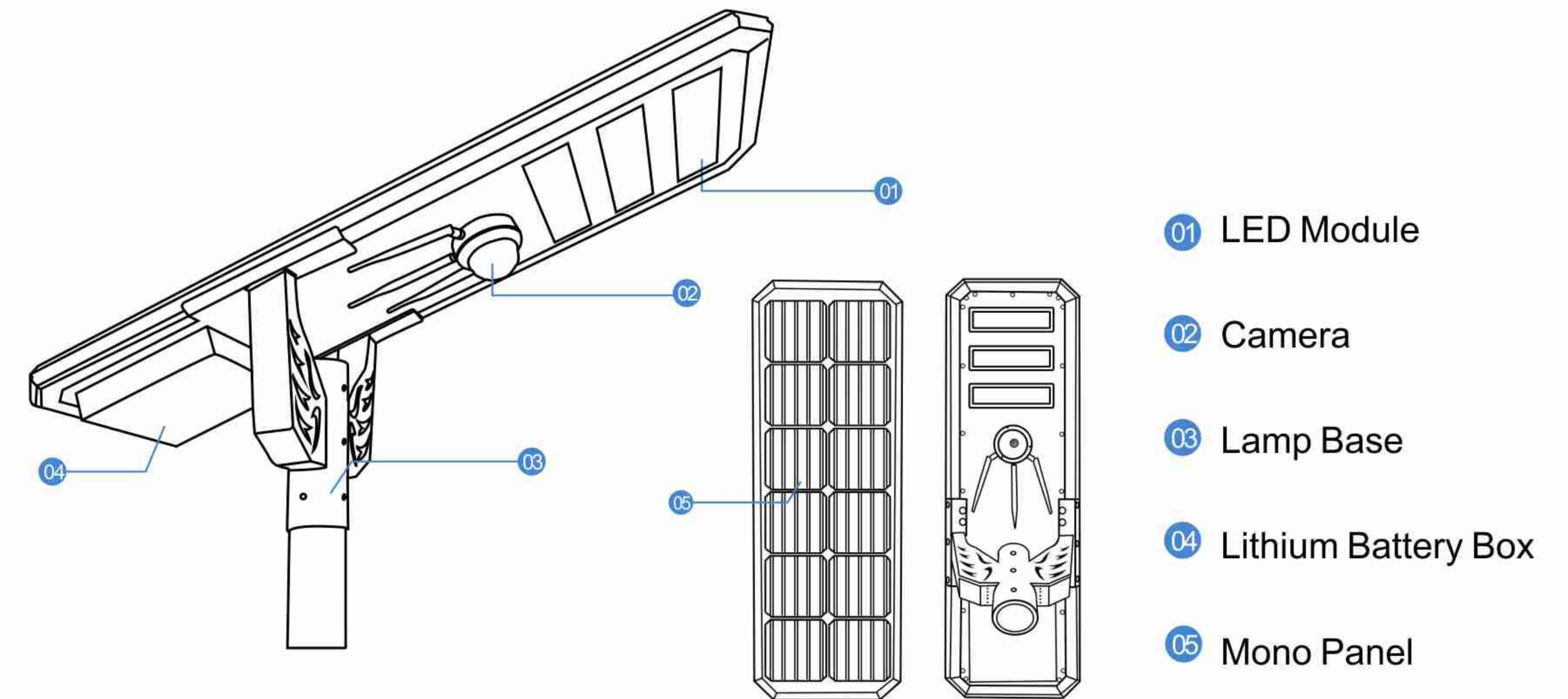
* Brightness Led. Technical Life ≥50000 hours.

- High Luminous Efficiency. 175-180Lm/w.
- * Intelligent Control System.
- Working Mode Intelligent, Automatically, Non-maintenance.

* Aluminum Case, Corrosion Resistance & Waterproof.



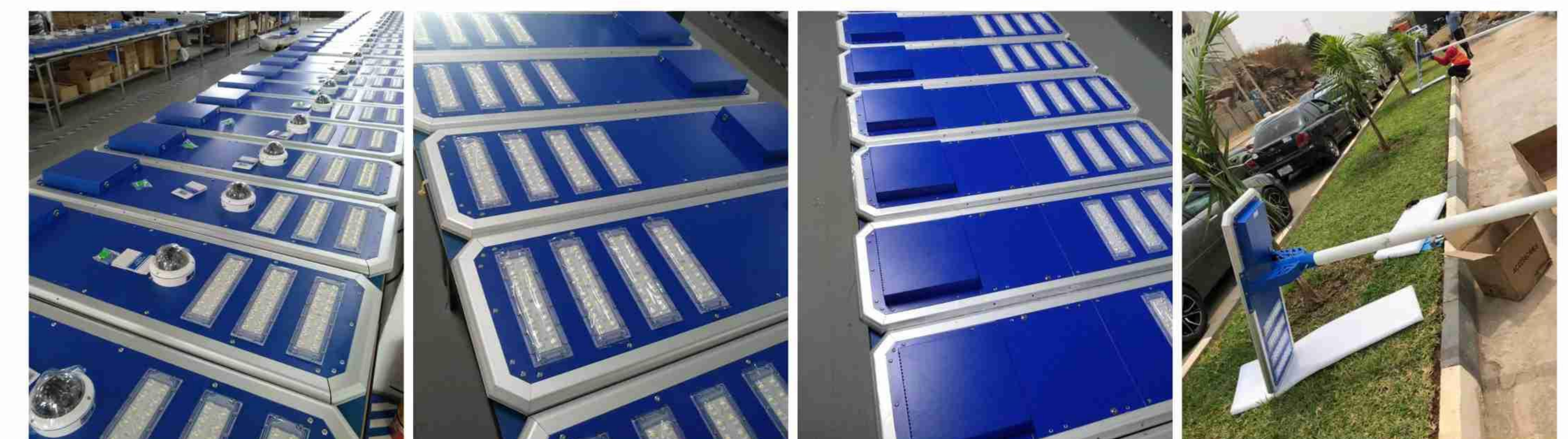
Detail analysis



Parameters

SPEC. / MODEL	WK-T2-40W	WK-T2-60W	WK-T2-80W	WK-T2-100W	WK-T2-CAM60W
Mono Panel	75W MONO	90W MONO	120W MONO	140W MONO	90W MONO
Lithium Battery	328.5WH LIFE PO4	548.5WH LIFE PO4	788WH LIFE PO4	910WH LIFE PO4	548.5WH LIFE PO4
LED Power	40W	60W	80W	100W	60W
CCTV Camera	/				Color Night Vision WIFI/4G Optional
Waterproof	Ip66				
Color Temperature	3500K-6500K				
Luminous Flux	PHILIPS Chips, 175-180 Lm/w				
Working Mode	Digital Automatical Control				
Working Time	≥48 HOURS				
Charging Time	6-7 HOURS				
Raining Days	3+ Raining Days Support				
Height of Pole	6-8M	8-10M	10-12M	12-15M	8-10M

Case



SOLAR ALL IN ONE STREET LIGHT

All In One Solar Street Light

Super Bright LED Beads
Ever Power Ever Light

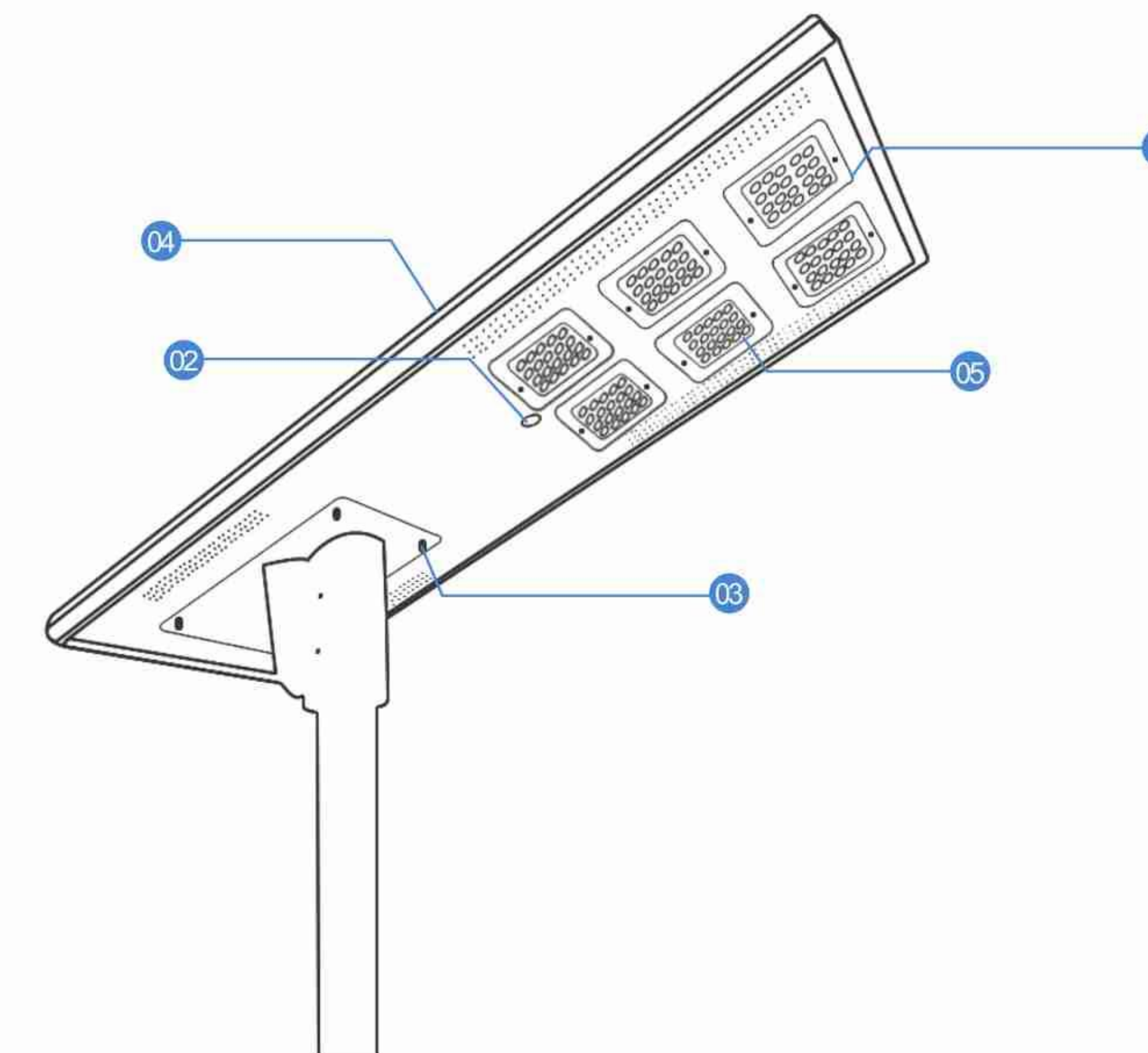


Wakatek Solar All In One Street Light Feature

- * Brightness Led Technical Life ≥60000 hours.
- **Adopt Philips Led, High Luminous Efficiency 175-180lm/w.**
* Environmental-Friendly.
- **Energy-Saving, Off Grid Alone, Wiring Free.**
* Professional Configuration.
- **The Lifespan and Effective Depends on Its Capacity of Panel and Battery.**
* Intelligent Control System.
- **Working Mode Intelligent, Automatically, Non-maintenance.**
* Aluminum Case, Corrosion Resistance & Waterproof.



Detail analysis



- 01 LED Module
- 02 Switch Button
- 03 Light Base
- 04 Mono Panel
- 05 LED Beads

Parameters

SPEC. / MODEL	WK-T1A-60W (6 LENS)	WK-T1A-80W (8 LENS)	WK-T1B-60W (3 LENS)	WK-T1B-80W (4 LENS)
Mono Panel	75W MONO	100W MONO	75W MONO	100W MONO
Lithium Battery	548.5WH LIFE Po4	688WH LIFE Po4	548.5WH LIFE Po4	688WH LIFE Po4
LED Power	60W	80W	60W	80W
Waterproof	Ip66			
Color Temperature	6000K-6500K			
Luminous Flux	PHILIPS Chips, 175-180 Lm/w			
Working Mode	Digital Automatical Control			
Size	1090*365*35MM / 1260*365*35MM			
Working Time	≥48 HOURS			
Charging Time	6-7 HOURS			
Raining Days	3+ Raining Days Support			
Height of Pole	6-8M	8-10M	6-8M	8-10M

Case

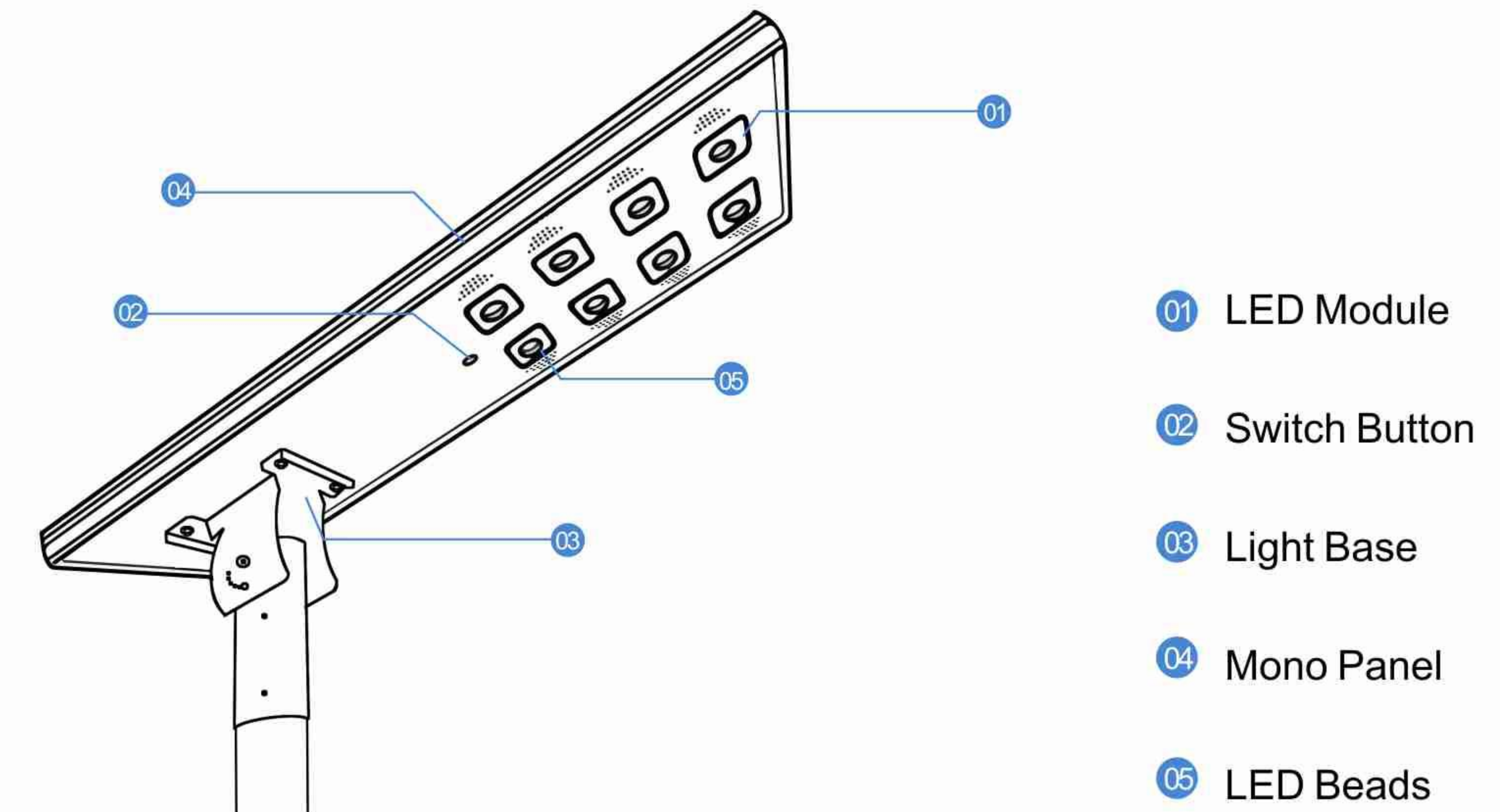


SOLAR ALL IN ONE STREET LIGHT



All In One Solar Street Light
High Lumen High Bright
Intelligent Working Mode

Detail analysis



Parameters

SPEC. / MODEL	WK-T1C-60W (8 LENS)	WK-T1C-100W (12 LENS)	WK-T1C-120W (16 LENS)
Mono Panel	75W MONO A+	120W MONO A+	140W Mono A+
Lithium Battery	548.5WH LIFE PO4	788WH LIFE PO4	910WH LIFE PO4
LED Power	60W	100W	120W
MPPT Controller	MPPT Technology		
Color Temperature	6000K-6500K		
Luminous Flux	PHILIPS Chips, 175-180 Lm/w		
Working Mode	Digital Automatically Control		
Size	1090*365*35MM	1360*365*35MM	1680*375*35MM
Working Time	≥48 HOURS		
Charging Time	6-7 HOURS		
Raining Days	Whole Night Lighting with 3+Raining days		
Height of Pole	6-8M	8-10M	10-12M

Wakatek Solar All In One Street Light Feature

- * New Type Aluminum Material Support Frame.
- **Thickened multi-angle 90° Adjustable Support Bracket.**
- * Whole Light High Luminous Efficiency 175-180LM/W.
- **High Quality Philips LED, Long Performance Life ≥50000hours.**
- * Environmental Friendly, Solar Power Energy.
- **Intelligent Control Mode, Superior Performance.**
- * Premium LifePO4 Lithium Battery.
- **Adopt High Capacity battery, Longer Lifespan, Light-Weight.**
- * Designed for Outdoor Solar Lighting Projects.
- **Installation Guidance Support & Professional Configuration Support.**

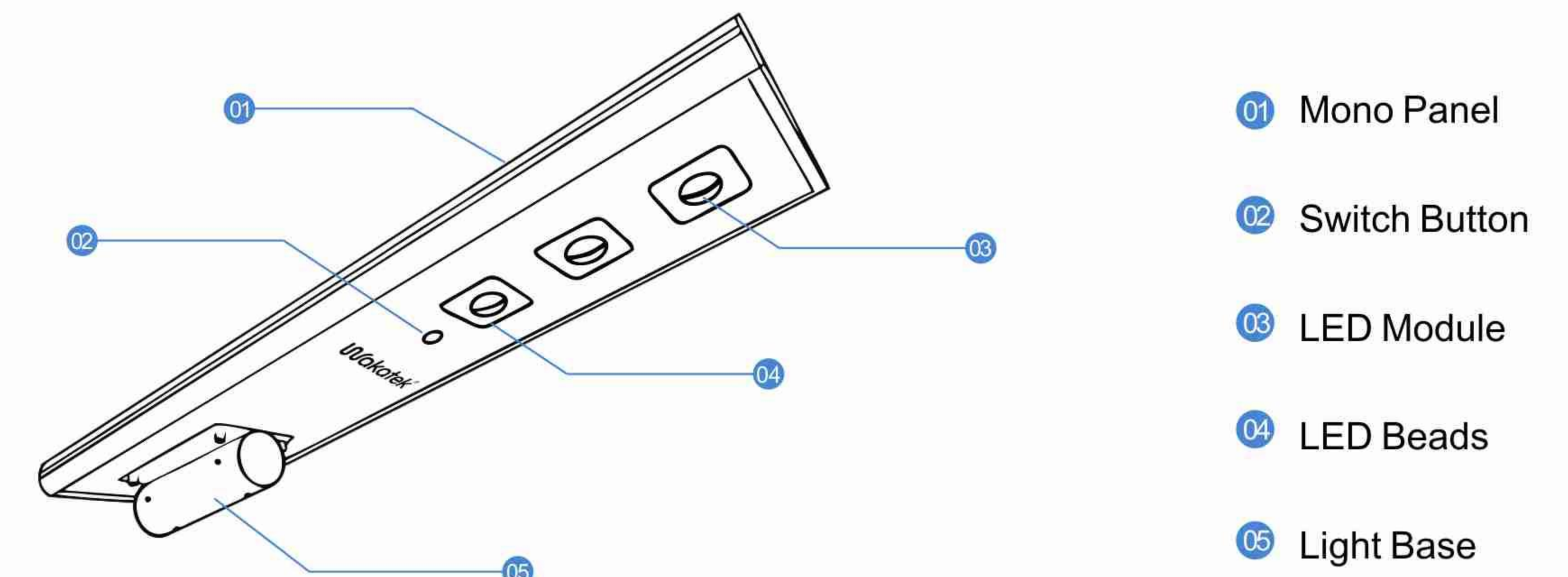


Case



SOLAR ALL IN ONE STREET LIGHT

Detail analysis



Parameters

SPEC. / MODEL	WK-AY-300
LED Power	High Efficiency LED Chip
Luminous Flux	175-180 LM/W
Solar Panel	35W Mono A+
Lithium Battery	LifePO4 150 WH
Color Temperture	6000K ~6500K
Size	920*235*45mm
Charging Time	6 Hours
Working Time	≥24 Hours
Lighting Mode	Whole Night Lighting with 2+Raining day
Warranty	12 Months

Case



All In One Solar Street Light

High Lumen High Bright
Ever Power Ever Light



Wakatek All In One Solar Street Light Feature

- * Brightness Led. Technical Life ≥60000 hours.
- Adopt Philips Led, High Luminous Efficiency 175-180LM/W.
- * Environmental-Friendly, Easy Install.
- Energy-Saving, Off Grid Alone, Wiring Free.
- * Professional Configuration.
- Long Lifespan and Effective LifePO4 Lithium Battery, MPPT Technology.
- Support Rainy Days Working, 2+ Raining Days Available.
- * Intelligent Control System.
- Working Mode Intelligent, Automatically, Non-maintenance.
- * Aluminum case, Corrosion Resistance & Waterproof.



SOLAR FLOOD LIGHT

Solar Flood Lights

Intellegient Working Mode
High Lumen High Bright

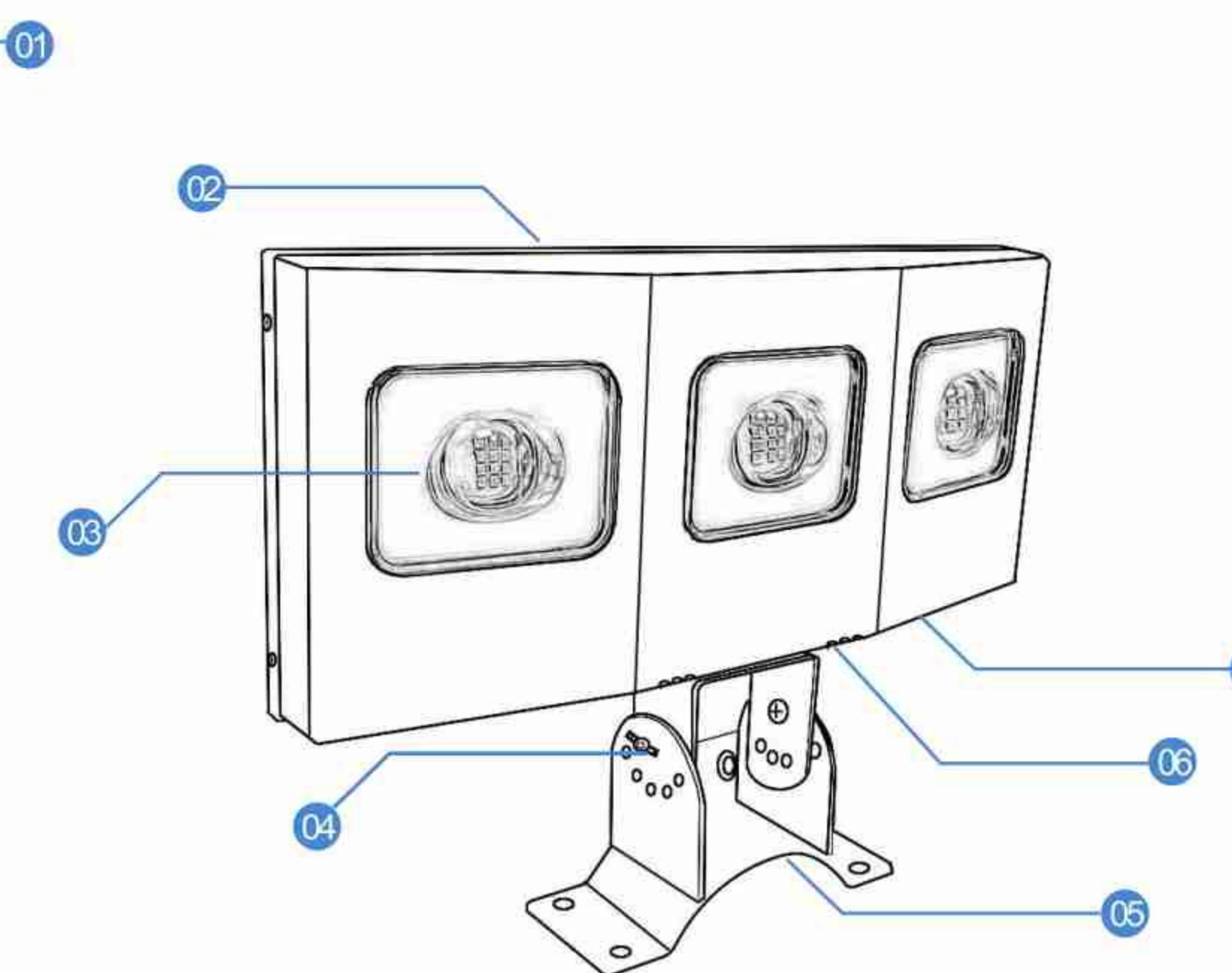
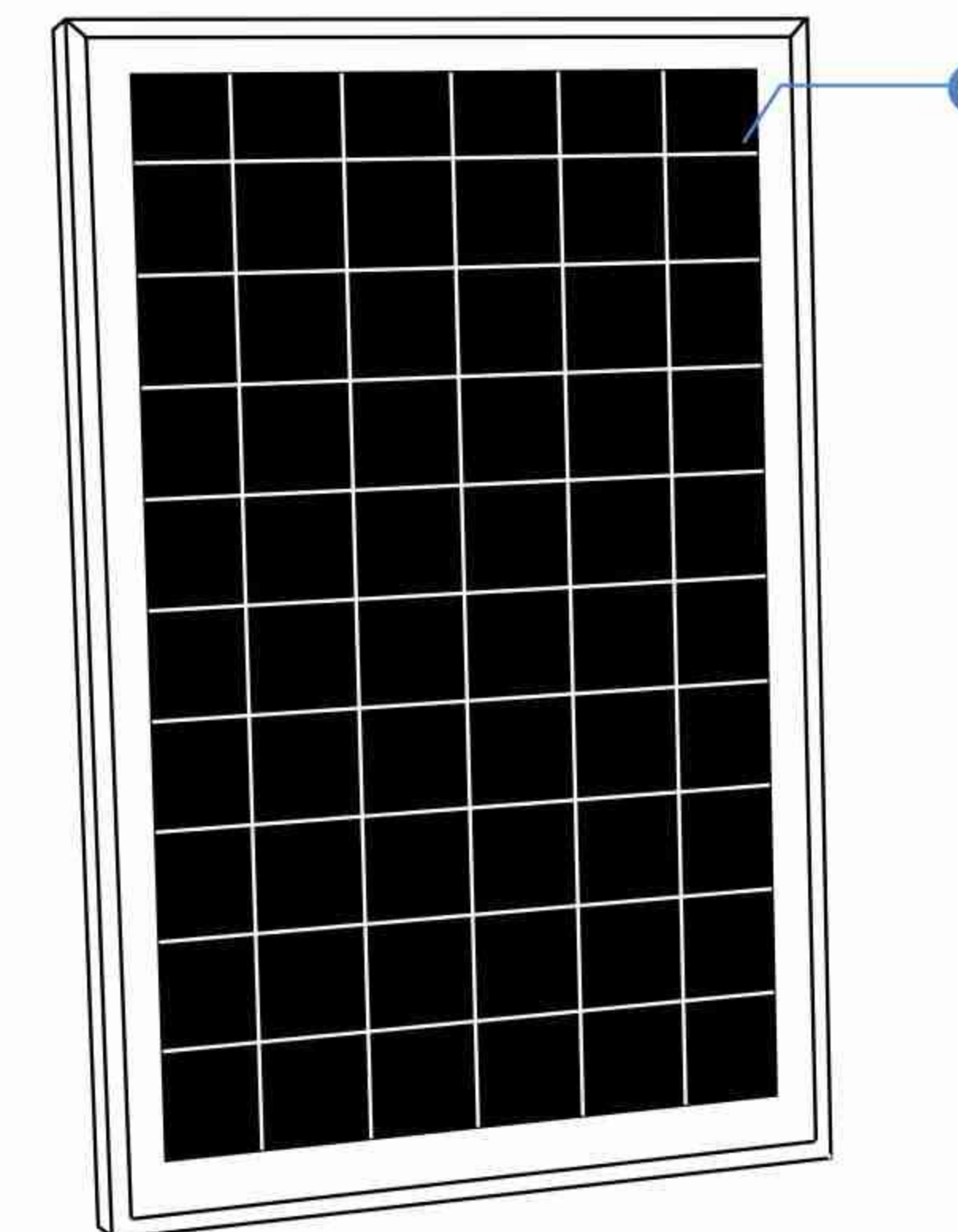


WAKATEK New Technology Solar Flood Lights

- * High lumen LED beads.
- **Lifespan more than 60000 hours.**
- * MPPT charging board.
- **Adopt MPPT charging board, improve 35% charging efficiency.**
- * Multiple installation modes.
- **On wall/ lamp arm/ on pole.**
- *Control board PCB.
- **Dual protection, Intelligent Working Mode.**
- * Effect duration, energy saving.
- **Led light source, High luminous efficiency.**
- * Build-in LifePo4 Battery.
- **Adopt high capacity battery, Longer lifespan, light weight.**
- * Aluminum case, corrosion resistance & Waterproof.



Detail analysis



- 01 Solar Panel
- 02 LifePO4 Lithium Battery
- 03 LED Beads
- 04 Fixed Screws
- 05 Light Base
- 06 Dissipate Heat
- 07 Switch Button

Parameters

SPEC. / MODEL	WK-JS-300W
Poly Panel	30W Poly
Lithium Battery	150WH LIFEPO4
Control Board	Built-in MPPT
Charging Time	6 Hours
Working Mode	Digital Automatical Lighting Control
Working Time	Whole Night Lighting with 2+Raining days
Color Temperature	6000K-6500K

Case

